

**VAN AIR SYSTEMS**



## ***Blast Pak Air Dryer System***



**Free Initial  
Desiccant  
Fill**

- **Increase Blasting Profitability**
- **Eliminate Flash Rusting, Clogged Blast Pots and Downtime**
- **Small Footprint**
- **Complete Portability**
- **Low Pressure Drop**

---

**Operate With Compressed Air Temperatures  
Up to 250°F**

**250 through 1600 SCFM Standard Systems**

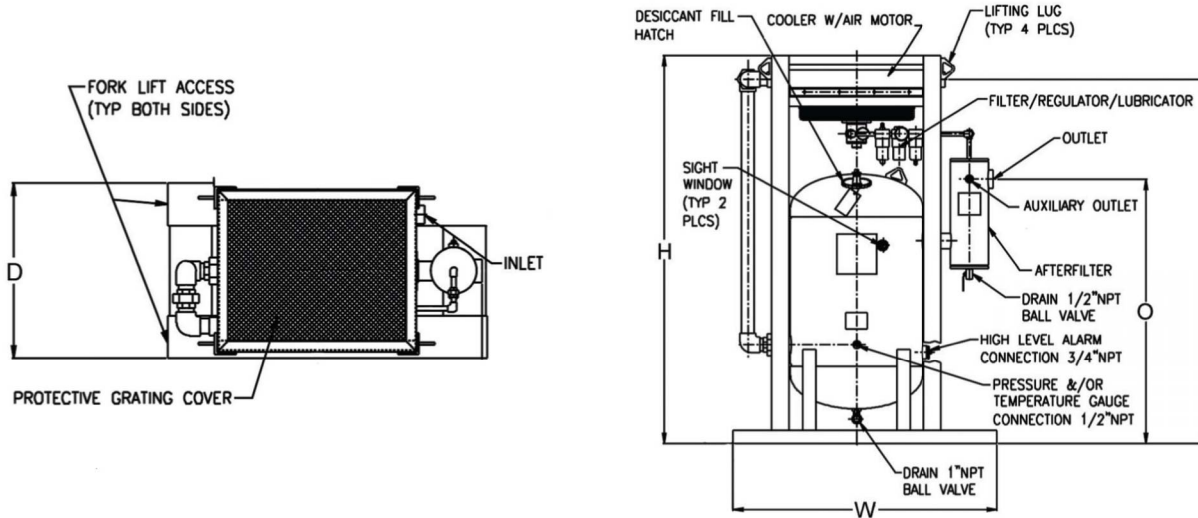
**Custom Systems Available**

**10 Year Vessel Warranty**

---

## Product Features

- Steel Skid Forklift Channels and Lifting Lugs for Portability
- Air Motor Includes Filter, Regulator, Lubricator and Muffler
- Epoxy Internal Dryer Coating for Long Vessel Life
- Optional Pneumatic Demand Drain Prevents Air Loss
- Downstream Particulate Filter with Permanent Stainless Steel Mesh
- Two Dryer Sight Windows for Desiccant Level Viewing



Dimensions	FD-250	FD-400	FD-800	FD-1200	FD-1600
Part Number	80-1456	80-1430	80-1431	80-1416	80-1347
Height	77"	77"	83-3/4"	88"	94-1/2"
Inlet Height	71-9/16"	72-1/8"	78-3/8"	82-5/8"	89-3/8"
Depth	27"	26"	32-7/8"	32-7/8"	43"
Outlet Height	58-1/2"	58-9/16"	59-1/2"	60"	59-1/8"
Width	48"	49"	54"	60"	71-1/2"
Inlet Size	1 1/2" NPT(F)	2" NPT (F)	2-1/2" NPT(F)	2-1/2" NPT (F)	3" NPT (F)
Outlet Size	1 1/2" NPT(F)	2" NPT (F)	2-1/2" NPT(F)	3" NPT(F)	3" NPT (F)
Weight	660 lbs	760 lbs.	1155 lbs.	1525 lbs.	1875 lbs.
Air Motor SCFM	17	25	70	70	150

Trust the experts in absorbent desiccant technology.  
Call us today to discuss your application needs.

**VAN AIR SYSTEMS**



2950 Mechanic Street  
Lake City, PA 16423 USA  
Phone: (800) 840-9906  
Corporate Fax: (814) 774-0778  
Order Entry Fax: (814) 774-3482  
vanair@vanairsystems.com