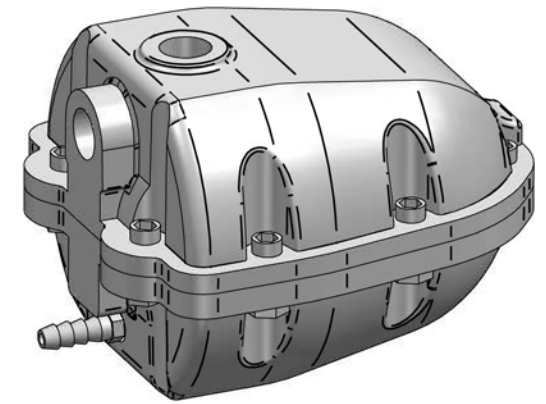
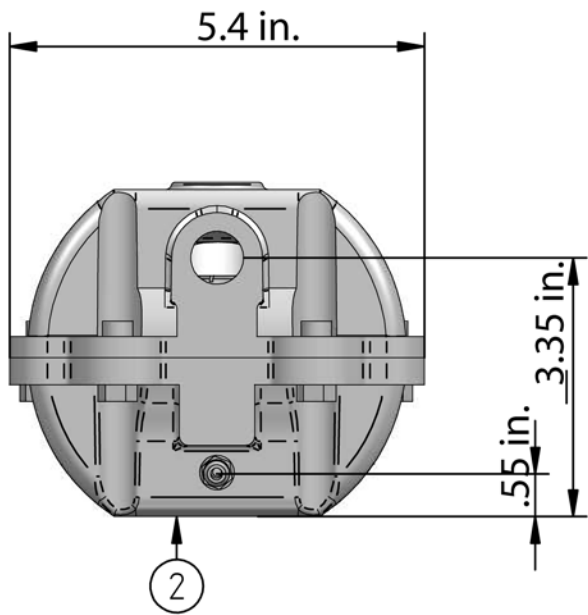
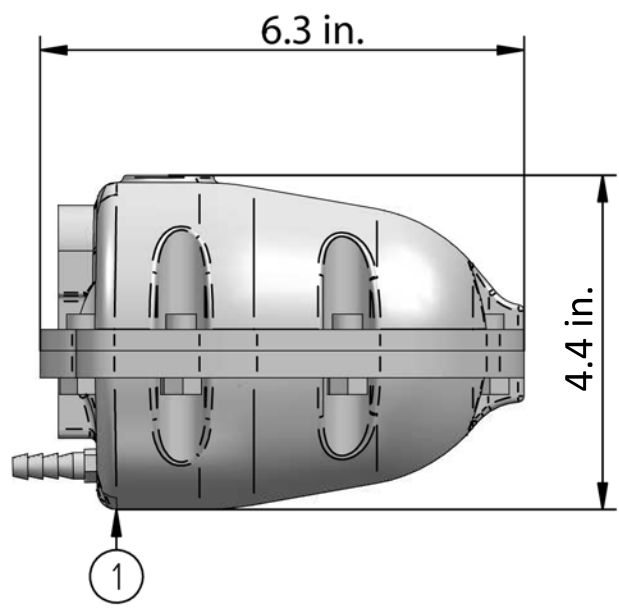


The original of this drawing is copyright and contains confidential information. It is property of JORC Industrial without whose permission it may NOT be copied, shown or handed to a third party or otherwise used and it is to be returned promptly upon request to JORC Industrial.



SPECIFICATIONS

MAXIMUM FILTER CAPACITY	UNLIMITED
INLET CONNECTION AND HEIGHT	1/2" 8,5 CM FROM FLOOR
OUTLET CONNECTION	1/8"
Minimum Pressure	0 psi
Maximum Pressure	230 psi
Minimum Temperature	37 F
Maximum Temperature	120 F
TYPE OF OPERATING VALVE	DIRECT ACTING
VALVE SEALS	VITON (FPM)
HOUSING MATERIAL	ALUMINIUM

2: Side view					
1: Front view					
			ARTIKEL NUMBER: 3903		
			SHEET: 1/3		