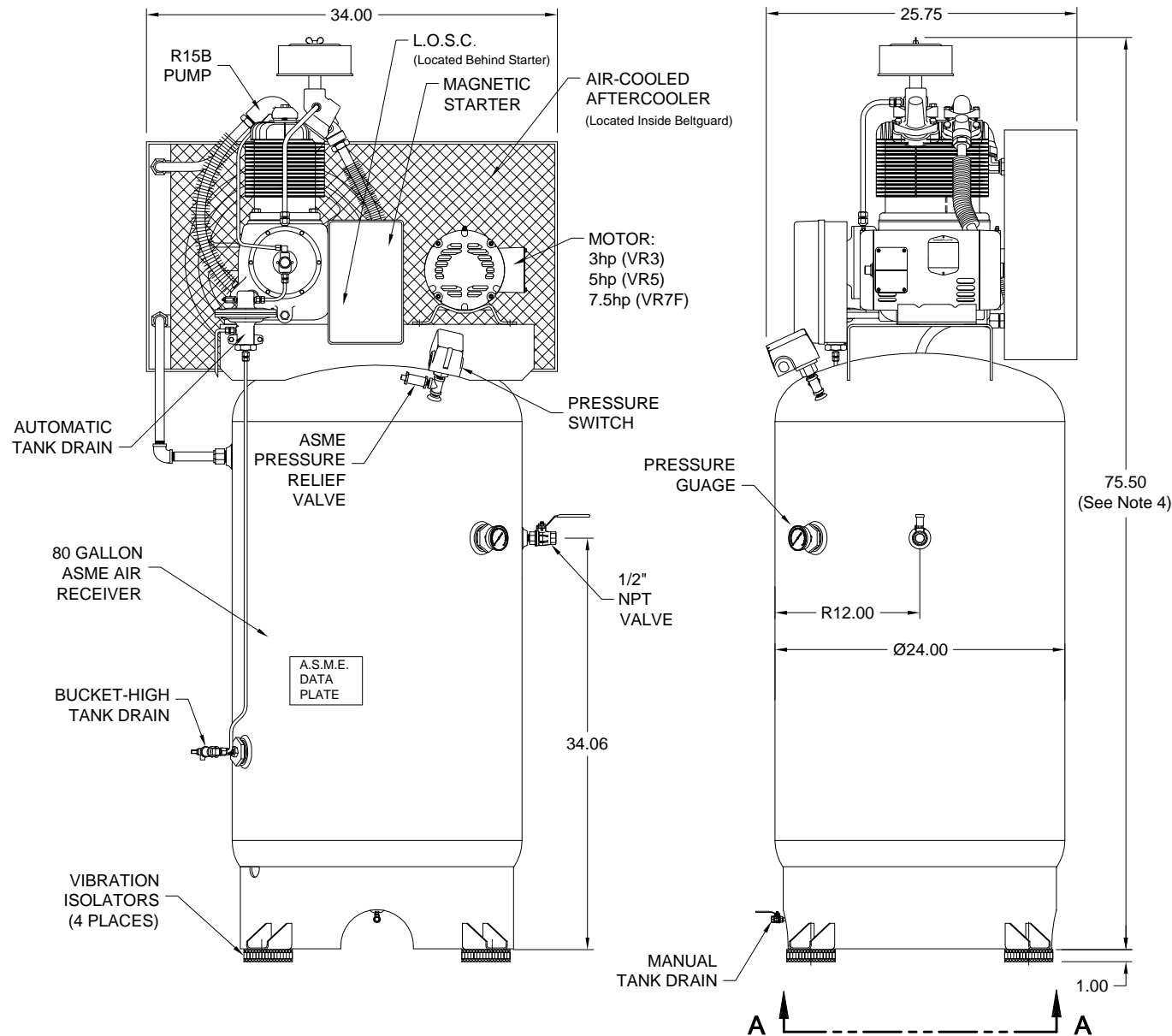


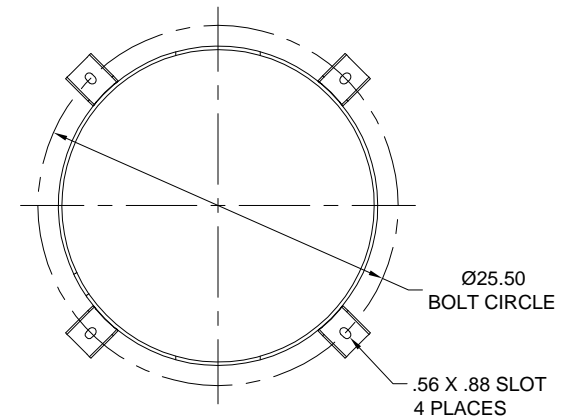
DD-B-330-A



NOTES:

1. DO NOT SCALE PRINT. TYPICAL DIMENSIONS ONLY.
2. SPECIFICATIONS AND DIMENSIONS ARE SUBJECT TO CHANGE WITHOUT NOTICE OR OBLIGATION.
3. ALL DIMENSIONS IN INCHES.
4. 23.5 CFM @ 175 PSI.

UNCONTROLLED  
COPY



NOTICE:  
REFERENCE DRAWING ONLY. MAY NOT INCLUDE SPECIFIC  
ACCESSORY ITEMS FOR ANY PARTICULAR ORDER.

CHAMPION - A GARDNER DENVER COMPANY

<b>UNIT MODEL</b>	PRINT NO.:
	DD-B-330-A
<b>VR7F-8</b>	DRWN BY: M.D.H.
	DATE: 12-09-1999
	CHK'D BY:
	DATE: