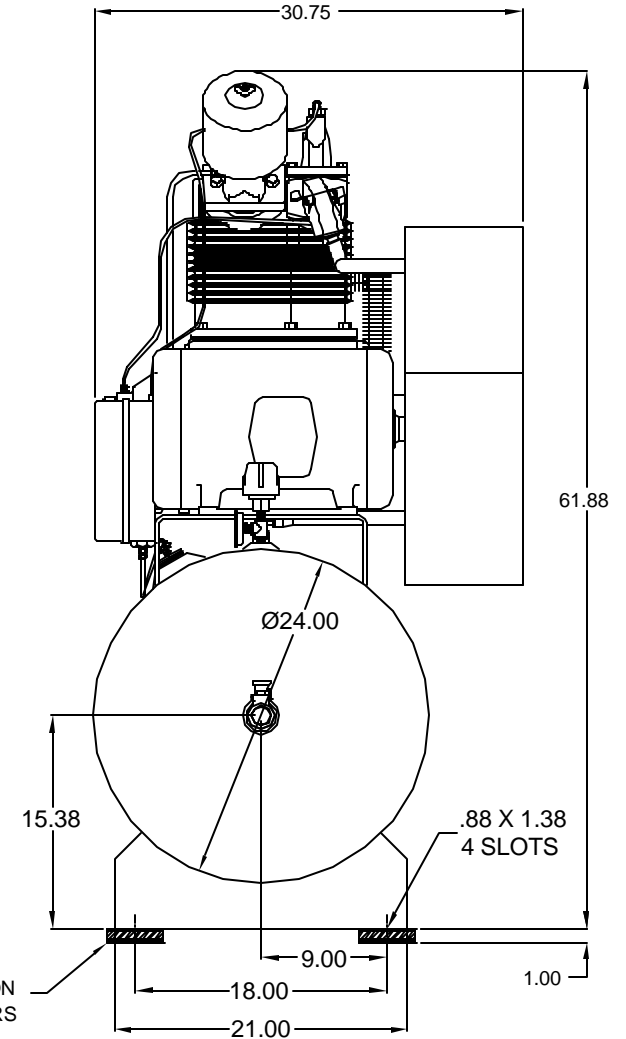
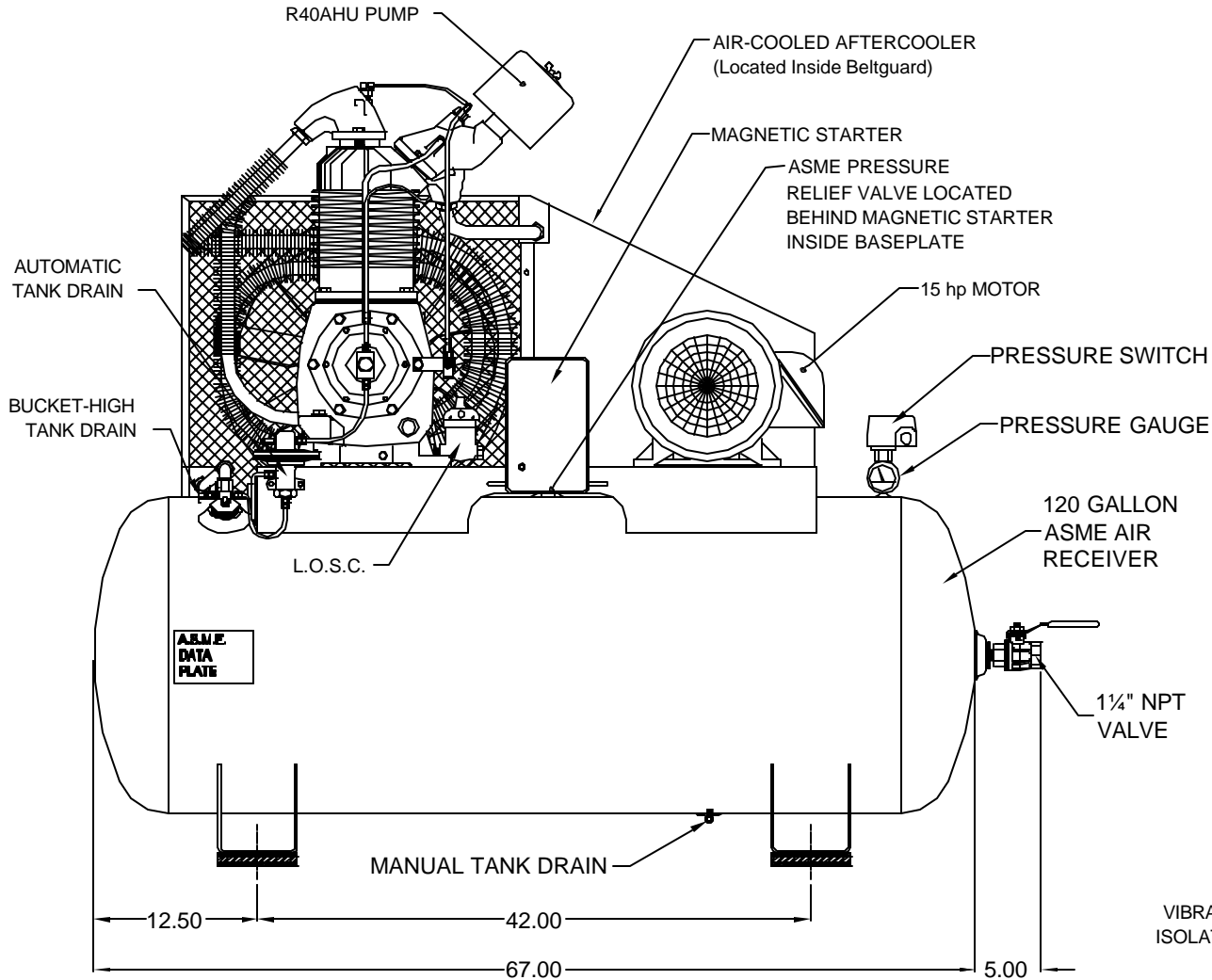


DD-B-865-A

**UNCONTROLLED  
COPY**

**NOTES:**

1. Do Not Scale Print. Typical Dimensions Only.
2. Specifications and Dimensions are Subject to Change Without Notice or Obligation.
3. All Dimensions in Inches.
4. 53.7 CFM @ 175 PSI



**NOTICE:**

REFERENCE DRAWING ONLY MAY NOT INCLUDE SPECIFIC ACCESSORY ITEMS FOR ANY PARTICULAR ORDER.

**CHAMPION- A GARDNER DENVER COMPANY**

<b>UNIT MODEL</b>	PRINT NO.:
	DD-B-865-A
<b>HRA15-12</b>	DRWN BY: M.D.H.
	DATE: 12-07-99
	CHK'D BY:
	DATE: